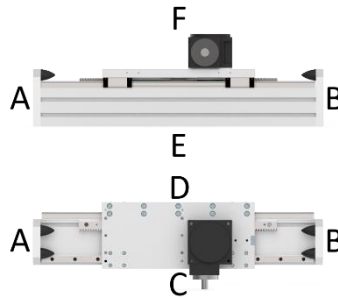
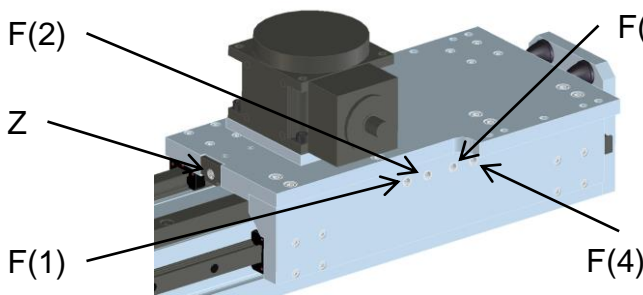


Lubrication Positions

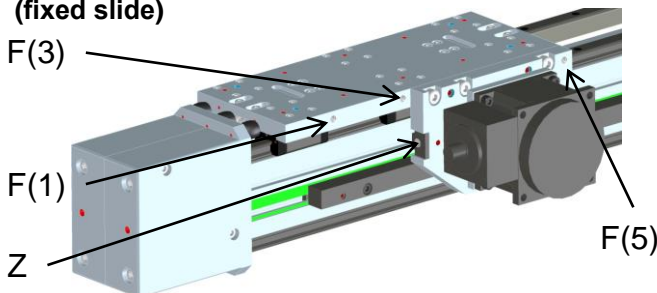


Gamma 090-|120-|160-|220-|280-AZSx Lubrication of guiding carriages 1+2 and 3+4 (**F**).
Lubrication of rack (**Z**).



The guiding carriages must be lubricated through all four funnel grease nipples on side D. The rack must be lubricated through the funnel grease nipple on side B (for models BXD/BXC) or on side A (for models ALD/ALC).

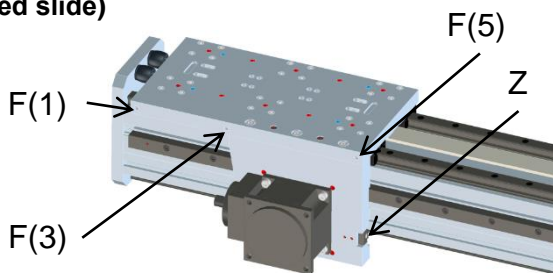
Gamma 090-|120-|160-GDHE
(fixed slide)



Lubrication of guiding carriages 1, 2, 3, 4, 5, 6 (**F**).
Lubrication of rack (**Z**).

Guiding carriages 1, 3, and 5 must be lubricated individually through the three funnel grease nipples on side C, guiding carriages 2, 4, and 6 through the three funnel grease nipples on side D. The rack must be lubricated through the funnel grease nipple on side A.

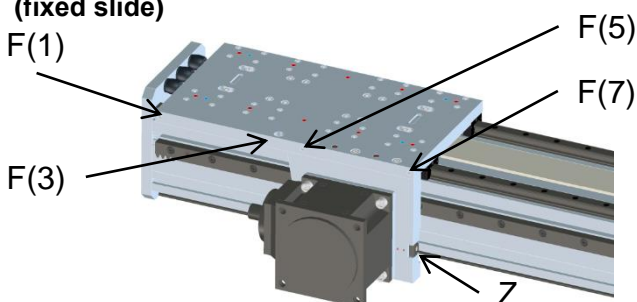
Gamma 160-GDHE
(fixed slide)



Lubrication of guiding carriages 1, 2, 3, 4, 5, 6 (**F**).
Lubrication of rack (**Z**).

Guiding carriages 1, 3, and 5 must be lubricated individually through the three funnel grease nipples on side C, guiding carriages 2, 4, and 6 through the three funnel grease nipples on side D. The rack must be lubricated through the funnel grease nipple on side B.

Gamma 220-|280-GDHE
(fixed slide)

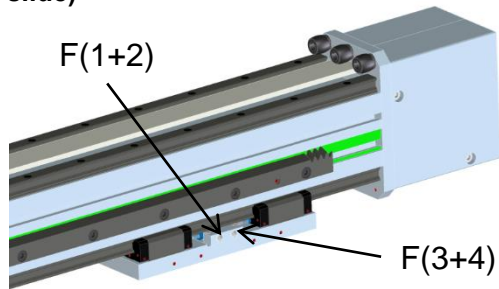


Lubrication of guiding carriages 1, 2, 3, 4, 5, 6, 7, 8 (**F**).
Lubrication of rack (**Z**).

Guiding carriages 1, 3, 5 and 7 must be lubricated individually through the four funnel grease nipples on side C, guiding carriages 2, 4, 6 and 8 through the four funnel grease nipples on side D. The rack must be lubricated through the funnel grease nipple on side B.

Lubrication Points for Gamma Linear Units with Rack-and-Pinion Drive

Gamma 090-|120-|160|220-|280-GDHE (moving slide)



Lubrication of guiding carriages 1+2 and 3+4 (**F**).

The guiding carriages must be lubricated through both funnel grease nipples on either side.